
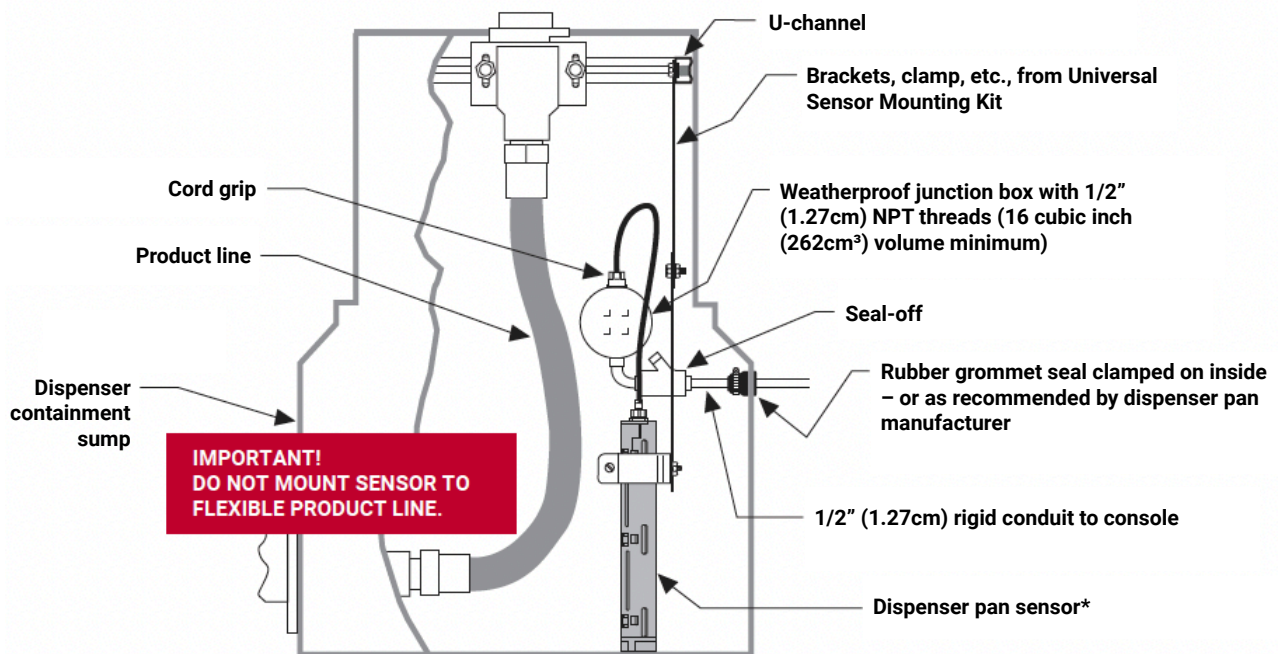


Sensor Description	Discriminating Dispenser Pan Sensor	This type of discriminating sensor is installed in a dispenser pan and will detect the presence of, and differentiate between, hydrocarbons and other liquids.					
Part Number	0794380-322						
Category	<input checked="" type="checkbox"/> Discriminating <input type="checkbox"/> Non-Discriminating <input type="checkbox"/> Position Sensitive	<input type="checkbox"/> Level Sensing <input type="checkbox"/> Static Testing <input type="checkbox"/> Hydrostatic					
Fuel Compatibility	<input checked="" type="checkbox"/> Gas <input checked="" type="checkbox"/> Diesel <input checked="" type="checkbox"/> Kerosene <input checked="" type="checkbox"/> Jet Fuel <input checked="" type="checkbox"/> Aviation Gas	<input checked="" type="checkbox"/> E-15 <input checked="" type="checkbox"/> E-85 ¹ <input type="checkbox"/> E-100 <input checked="" type="checkbox"/> Bio-Diesel 20 <input type="checkbox"/> Bio-Diesel 100				<input checked="" type="checkbox"/> Green Diesel <input type="checkbox"/> DEF <input checked="" type="checkbox"/> Waste Oil <input checked="" type="checkbox"/> Motor Oil	
¹ Single use only (Test per Sensor Operability Guide in E-10 or less)							
Console Compatibility	Recommended Min. Console Software	Sensor Interface Modules					
		Module Part #	Module Description	# of Modules per Console	# of Sensor Inputs per Module	Availability	
TLS-450PLUS (8600 Series)	6.A or Higher	0332812-001	Universal Sensor Module (USM)	Up to 4 – TLS-4xx Up to 8 – TLS-4xx w/ opt. TLS-XB	16	Sold Separately	
TLS-450	4.A or Higher						
TLS4 (8601 Series)	6.A or Higher	0330020-750	Universal Sensor Input/Output Module (USIOM-AC)	1	12	Included	
TLS4i (8601 Series)		0330020-751			6		
TLS4B (8601 Series)							
TLS4c (8601 Series)							
TLS-350/R/PLUS	124/324 or Higher	0329358-001	Interstitial Sensor Interface Module	Up to 8	8	Sold Separately	
TLS-350J		0329356-003	4 Probe / 4 Sensor Interface Module	1	4	Sold Separately	
TLS-300i		0330230-001	4 Probe / 8 Sensor Interface Module		8	Included	
Alarm Notification	Normal	Sensor in Normal State – No liquid detected					
	Low Liquid	Liquid detected at a minimum of 1.37" (3.48cm)					
	High Liquid	Liquid detected at a minimum of 7.66" (19.45cm)					
	Fuel Alarm	Permeable material saturated with fuel					
	Sensor Out	Sensor not communicating to ATG/Console					
Installation Kit	0330020-012	Universal Sensor Mounting Kit (Sold Separately)					
Specifications							
Operating Principle	Product Permeable, Reed Switch / Float						
Product Activation Height	Gas – 0.125" (3.175mm) Water – Low: 1.37" (3.48cm), High: 7.66" (19.45cm)						
Operating Temperature	+32°F to +140°F (0°C to +60°C)						
Dimensions	11.6" (29.4cm) high, 2.2" (5.6cm) diameter						
Miscellaneous/Notes	Standard Cable Length: 12' (3.66m)						
Third Party Evaluation Links	TLS-3XX/TLS-450 Series Consoles TLS4 (8601 Series) Consoles						
Product Link	Discriminating Dispenser Pan Sensor						
Warranty with System	1 Year Parts & Labor						
Warranty (When purchased separately)	1 Year Parts Only						

Where Used (Typical)

- | | |
|---|---|
| <input checked="" type="checkbox"/> Dispenser Pan | <input type="checkbox"/> Annular Space |
| <input checked="" type="checkbox"/> Spill Containment | <input type="checkbox"/> Monitoring Well |
| <input type="checkbox"/> STP Sump | <input type="checkbox"/> Oil/Water Separator Tank |
| <input type="checkbox"/> Convault Tank | |

Example Installation


* Dispenser pan sensor should:

1. Rest in the cup or the lowest point of the dispenser containment sump.
2. Be positioned so as to be removable by pulling the sensor straight up out of the pan.
3. Be mounted in a true vertical position.

Notice

Veeder-Root makes no warranty of any kind with regard to this publication, including, but not limited to, the implied warranties of merchantability and fitness for a particular purpose.

Veeder-Root shall not be liable for errors contained herein or for incidental or consequential damages in connection with the furnishing, performance, or use of this publication.

Veeder-Root reserves the right to change system options or features, or the information contained in this publication.

This publication contains proprietary information which is protected by copyright. All rights reserved. No part of this publication may be photocopied, reproduced, or translated to another language without the prior written consent of Veeder-Root.

Example Illustrations

Illustrations used in this guide for example sensor installations may contain components that are customer supplied and not included with the sensor. Please check with your Veeder-Root Distributor for recommended installation accessories.

Third Party Evaluations

Third party evaluations of the Veeder-Root sensors contained in this application guide can be found under the Veeder-Root vendor name on the National Work Group on Leak Detection Evaluations (NWGLDE) website: <http://www.nwglde.org>